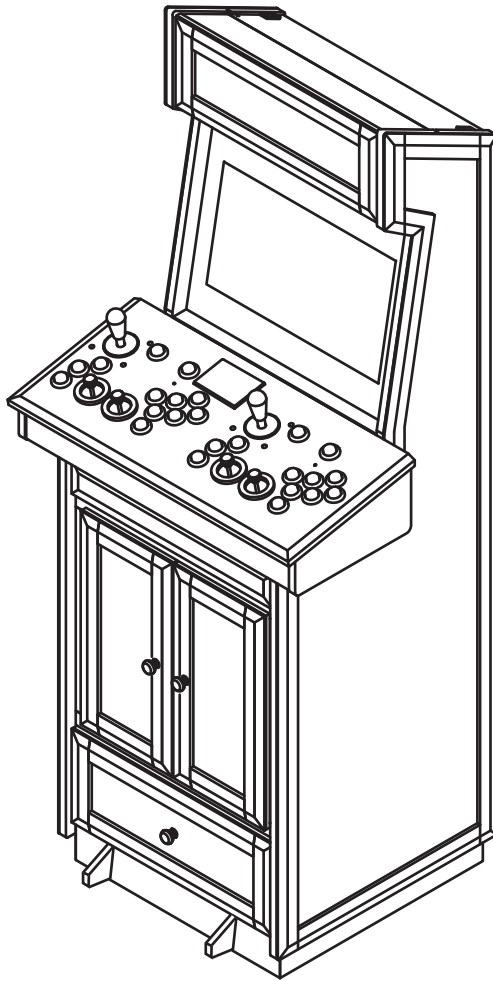




QUASIMOTO™

ARCADE STATION

efx™



OWNER'S Manual

BEFORE YOU GET STARTED

Congratulations and thank you for purchasing the Arcade Station EFX, the most advanced arcade machine available! With the Arcade Station EFX, you can play almost any game arcade style. This product converts your favorite video game system into an arcade. Whether you are looking to play classic arcade games or next generation games, the Arcade Station EFX will play them just like you were at a real arcade. In addition, the EFX also functions as a jukebox for playing music on a powerful 2.1 sound system. Enjoy crystal clear picture quality while playing your games or movies in high definition on the amazing 19" widescreen monitor. Get ready to have fun!

If this is your first time setting up the machine, start from the beginning of this manual and move page by page. You are only minutes away from having the arcade machine of your dreams! If you have any questions during the installation process please feel free to contact us at any time.

READ THESE INSTRUCTIONS: All safety and operating instructions should be read before the product is operated. Do not use the apparatus near water. Clean product with furniture and glass cleaner, do not use harsh chemicals. Unplug this product from the wall outlet before cleaning. Do not defeat the safety purpose of the polarized or grounding type plug. Protect the power cord from being walked on or pinched, particularly at plugs, convenience receptacles, and the point from where they exit from the apparatus. Unplug the apparatus during lightning storms or when unused for long periods of time. Do not overload outlets and extension cords as this can result in a risk of fire or electric shock. If damaged, unplug the apparatus from the wall outlet and contact Quasimoto immediately.

"Warning: Changes or modifications to this unit not expressly approved by the party responsible for compliance could void the user's authority to operate the equipment."

"NOTE: This equipment has been tested and found to comply with the limits for a Class B digital device, pursuant to Part 15 of the FCC Rules. These limits are designed to provide reasonable protection against harmful interference in a residential installation. This equipment generates, uses and can radiate radio frequency energy and, if not installed and used in accordance with the instructions, may cause harmful interference to radio communications.

However, there is no guarantee that interference will not occur in a particular installation. If this equipment does cause harmful interference to radio or television reception, which can be determined by turning the equipment off and on, the user is encouraged to try to correct the interference by one or more of the following measures:

- Reorient or relocate the receiving antenna.
- Increase the separation between the equipment and receiver.
- Connect the equipment into an outlet on a circuit different from that to which the receiver is connected.
- Consult the dealer or an experienced radio/TV technician for help."



IMPORTANT! CAUTION!

DO NOT MOVE THE CABINET BY PULLING UP ON THE CONTROLLER

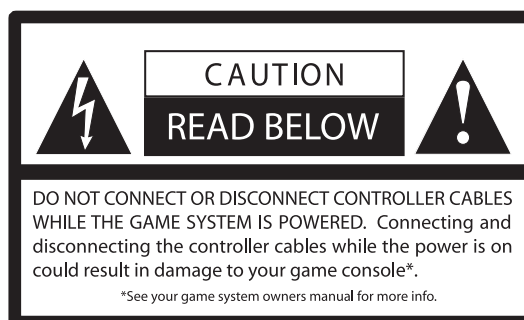
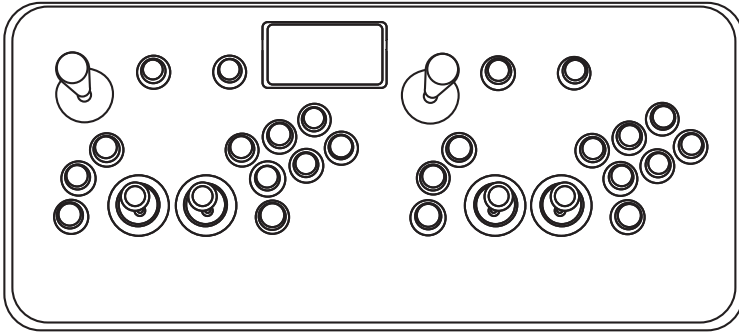


TABLE OF CONTENTS

PRODUCT OVERVIEW.....	1
WHAT'S INCLUDED.....	2
ARCADE CONTROLLER OVERVIEW.....	3
INSTALLING THE FLOOR BRACKETS.....	4
OPENING THE BACK OF THE CABINET.....	4
MOUNTING THE ARCADE CONTROLLER.....	5
CONNECTING THE LCD.....	6
CONNECTING THE ARCADE CONTROLLER	
To connect game system 1.....	7
To connect game system 2, 3, 4.....	8
To connect a Nintendo Wii.....	9
CHANGING THE BUTTON LEGENDS.....	9
GAME SYSTEM AUDIO AND VIDEO	
To connect game system 1.....	10
To connect game system 2+.....	10
To connect a computer.....	11
To connect an external display.....	12
CONNECTING THE POWER.....	13
SECURING THE CABINET TO A WALL.....	14
USING THE MACHINE.....	15
TROUBLESHOOTING.....	17
WARRANTY/DISCLAIMERS.....	18

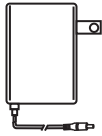
WHAT'S INCLUDED



(1) Two Player Arcade Controller



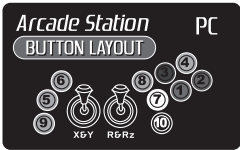
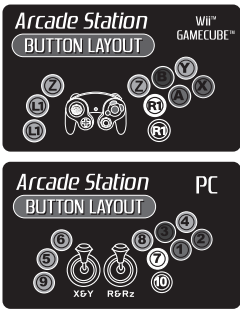
Keys



Power Adapter


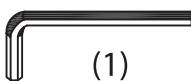








Remote Control



(4) controller legends

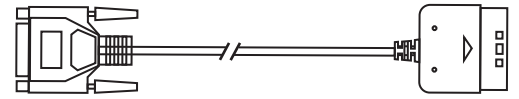
Hardware/Tools

 (6)	 (1)
 (6)	 (8)
 (6)	 (4)
 (2)	 (4)

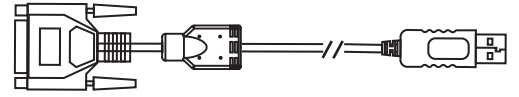
Not Included:

Xbox 360™ Adapter Cables
Call for ordering information
888-400-5774

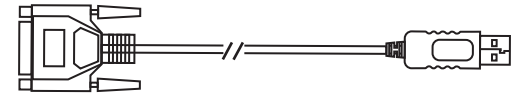
Game Control Cables



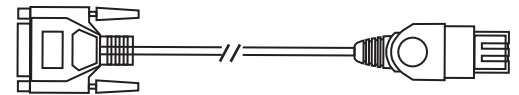
(2) PlayStation™ 2 adapter cables



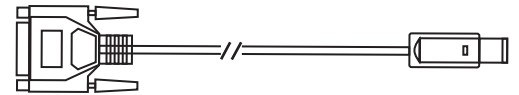
(2) PlayStation™ 3 adapter cables



(2) PC/MAC adapter cables



(2) Xbox™ adapter cables

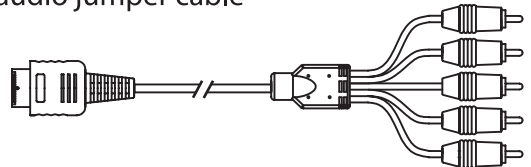


(2) GameCube™ and Wii™ adapter cables

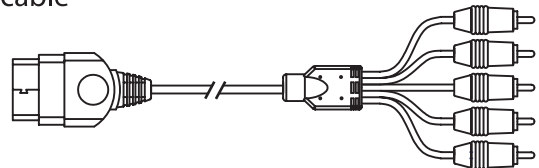
Audio/Video Cables



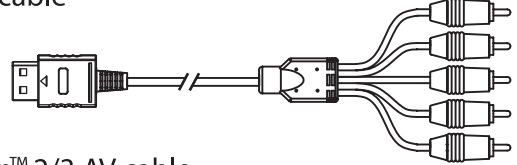
(1) MP3/PC audio jumper cable



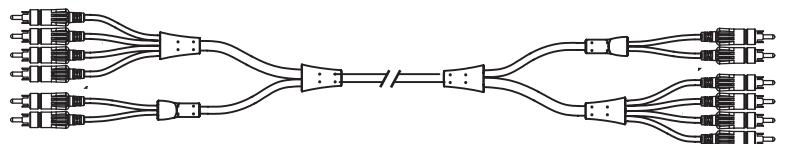
(1) Wii™ AV cable



(1) XBox™ AV cable

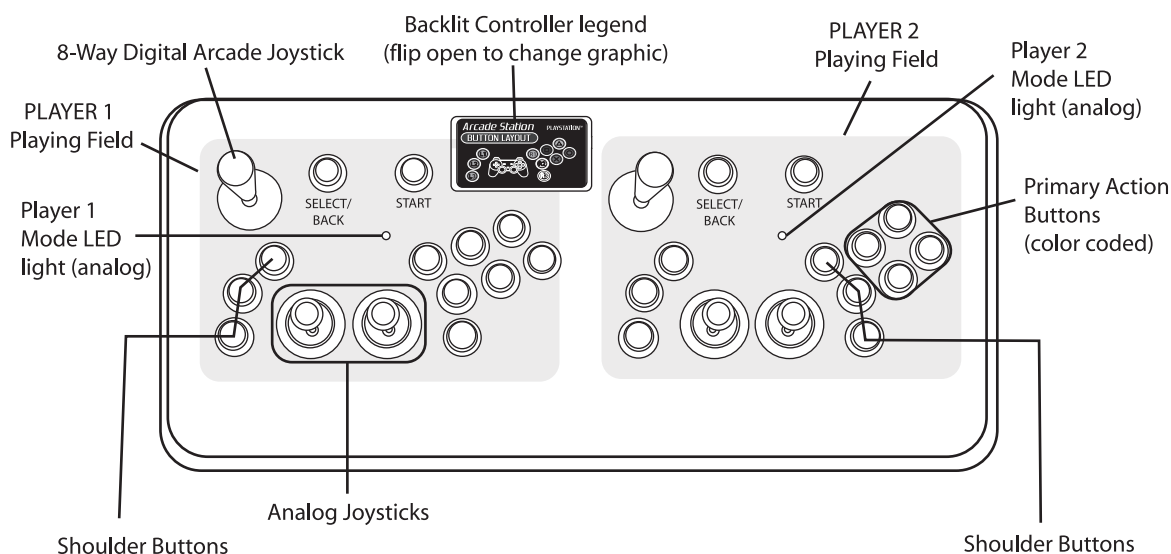


(1) Playstation™ 2/3 AV cable



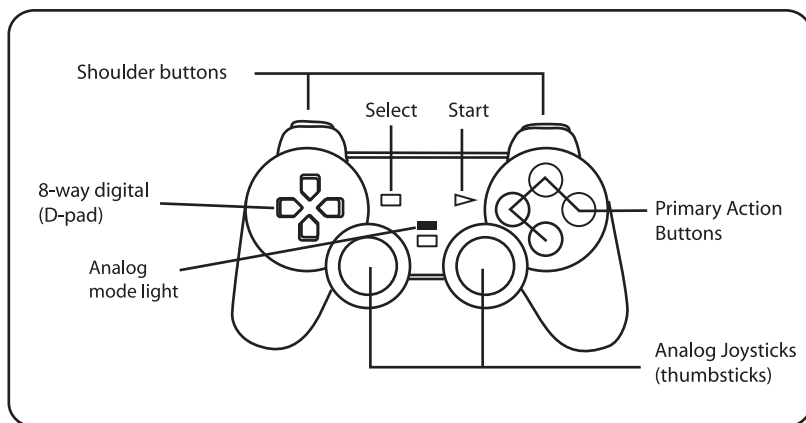
(1) AV extension cable

ARCADE CONTROLLER OVERVIEW

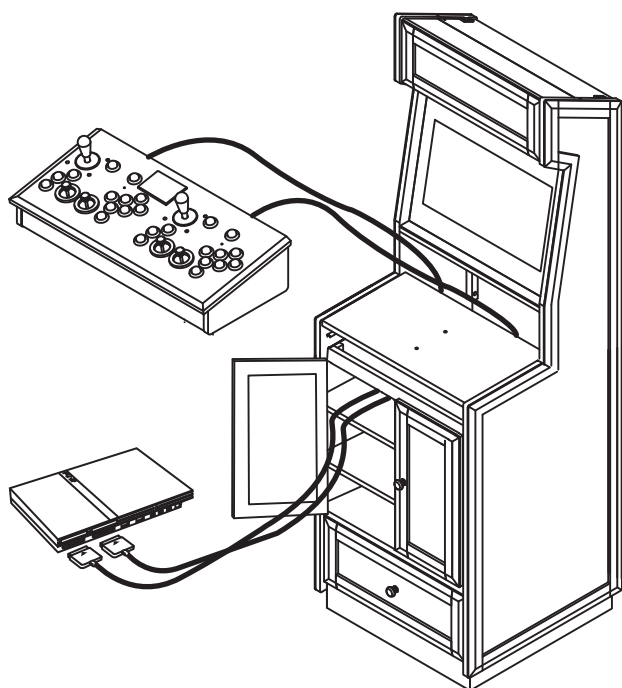


HOW IT WORKS

The arcade controls are mapped to replace every button and joystick from your standard game system handheld controller. In fact, the arcade controller even connects to your game system the same way as the handheld controllers. Use the backlit legend on the arcade panel to help guide you through the layout. Above is a reference to help explain the logic behind the controller layout.



The arcade controller connects and works the same as the handheld controller. PlayStation™ 2 controller shown.



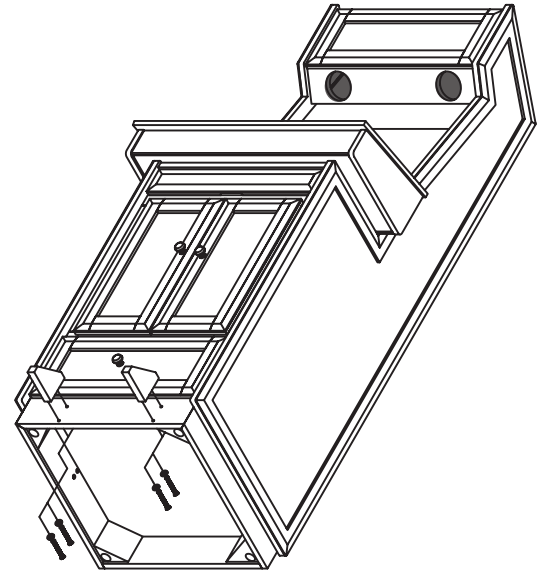
The home video game system will be installed on the shelving in the cabinet. The arcade controller is connected by two cables for Player 1 and Player 2. These cables are fed through the cabinet as shown in the example to the left. **For convenient connection, first mount the arcade controller and remove the cabinet back panel before connecting the game system cables.**

Note: The shelving in the cabinet is adjustable. A short phillips screw driver is required to loosen the shelf clips that secure the shelving to the cabinet.


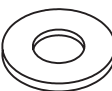

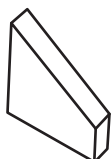
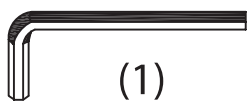
INSTALLING THE FLOOR BRACKETS



As with any entertainment center, large appliance, bedroom dresser, or tall furniture, precautions should be taken to prevent a possible injury. In case you have small children that like to climb furniture, we recommend installing the included floor brackets as an extra safety measure. The two wooden triangle brackets included are designed to help prevent the cabinet from tipping forward. These should be installed as shown in the diagram below.

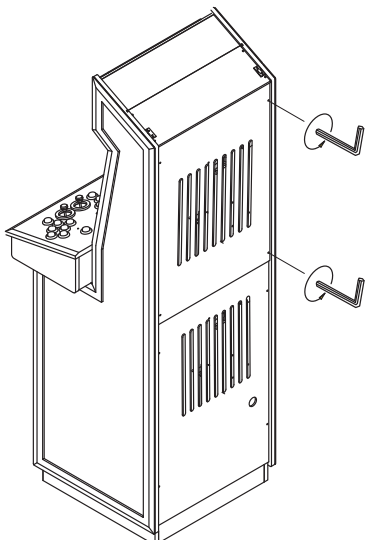


Hardware/Tools

 (4)	 (4)	
 (4)	 (2)	 (1)

NOTE: There are also optional wall mount brackets to further secure the cabinet. See the section titled “Securing Cabinet to Wall” (page 14).

OPENING THE BACK OF THE CABINET



HOW TO ACCESS THE LCD MONITOR IN THE CABINET

Step 1: Use the tool included to remove the back panel.

Step 2: Remove the four bolts on the top back panel to gain access to the inputs on the monitor and to connect the arcade controller.

Step 3: Remove the six bolts on the bottom panel and remove for easy access to the power and game system connections.

